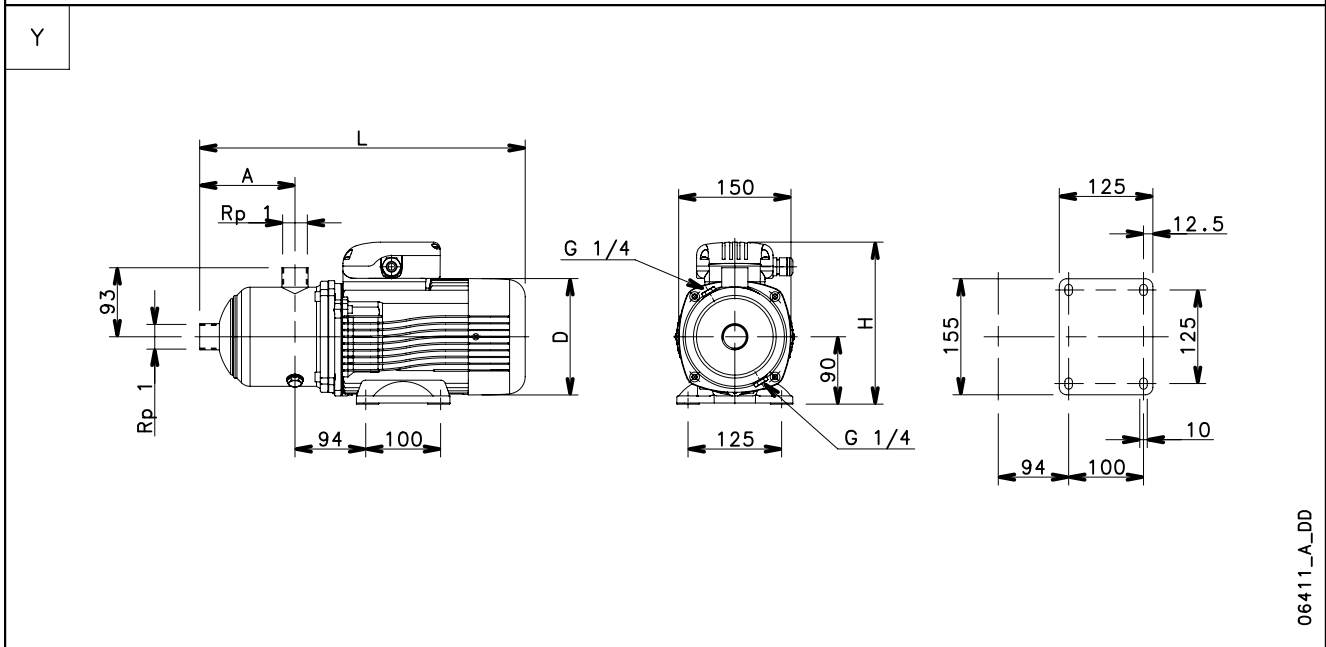
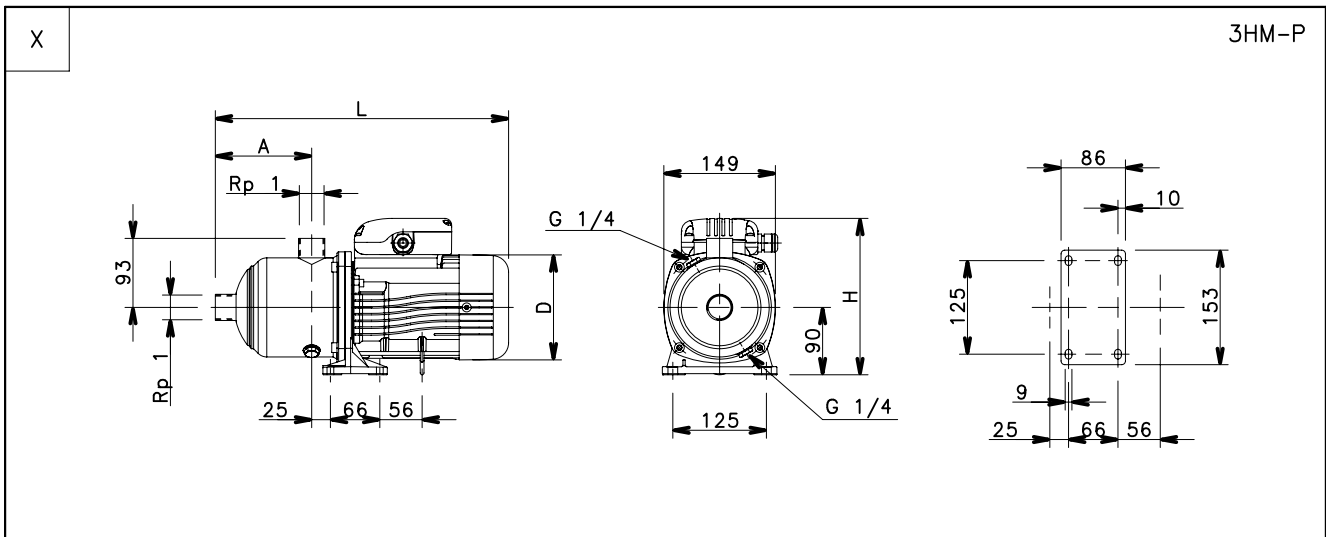


### 3HM..P SERIES DIMENSIONS AND WEIGHTS AT 50 HZ, 2 POLES



06411\_A\_DD

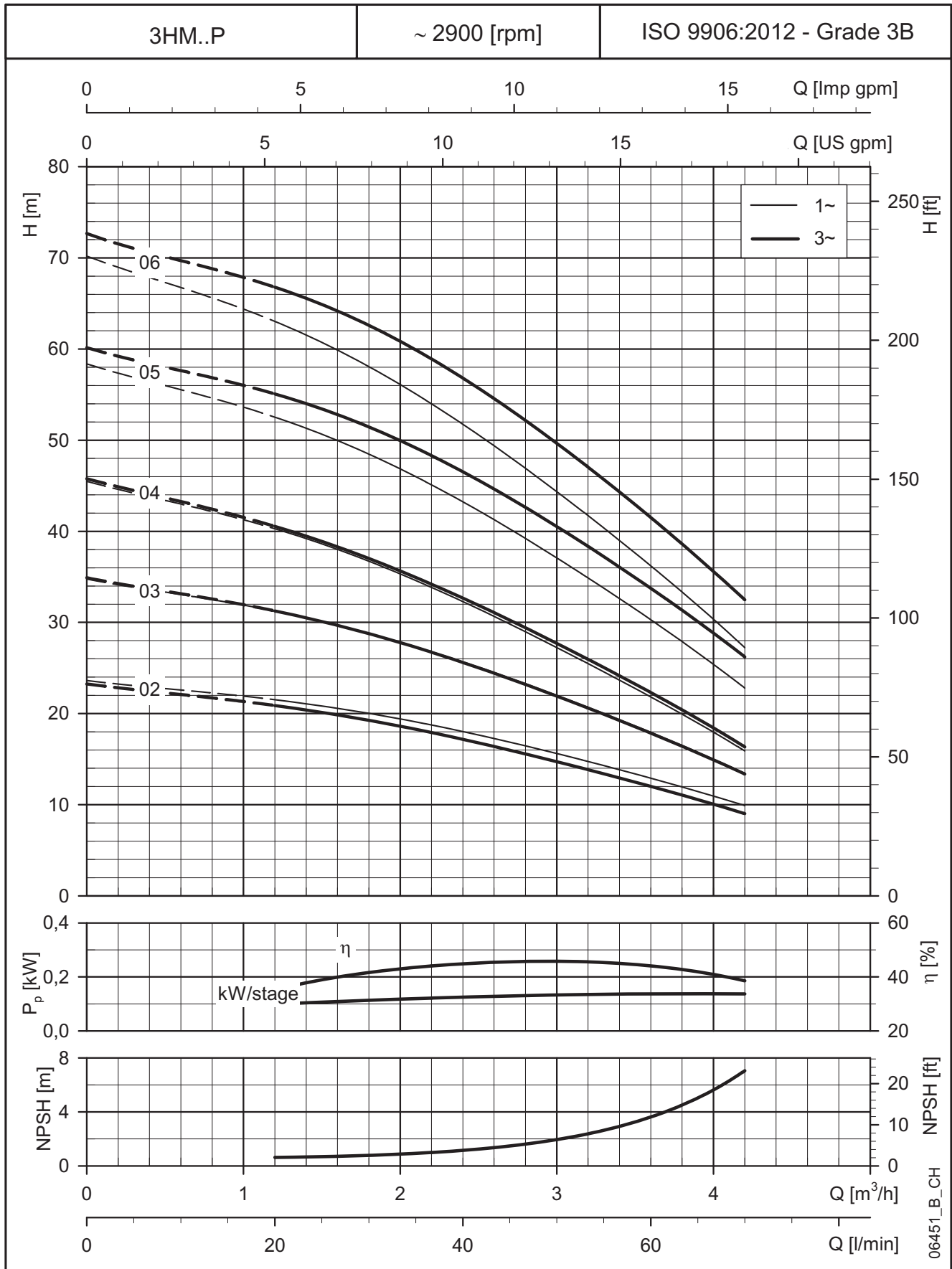
PUMP TYPE	VERSION	Ref.	MOTOR		DIMENSIONS (mm)				PN bar	WEIGHT kg
			kW	SIZE	A	D	H	L		
3HM02	SINGLE-PHASE	X	0,50	63	87	120	201	336	10	7
3HM03			0,50	63	87	120	201	336	10	7
3HM04			0,50	63	107	120	201	356	10	7
3HM05			0,75	71	127	140	211	390	10	10
3HM06			0,95	71	147	140	220	410	10	11

3HM02	THREE-PHASE	X	0,30	63	87	120	201	336	10	6
3HM03			0,40	63	87	120	201	336	10	6
3HM04			0,50	63	107	120	201	356	10	7
3HM05		Y	0,75	80	127	155	219	435	10	12
3HM06			1,1	80	147	155	219	455	10	13

3hm-p-2p50-en\_b\_dd

### 3HM..P SERIES

### OPERATING CHARACTERISTICS AT 50 Hz, 2 POLES



These performances are valid for liquids with density  $\rho = 1.0 \text{ Kg/dm}^3$  and kinematic viscosity  $\nu = 1 \text{ mm}^2/\text{sec}$ .