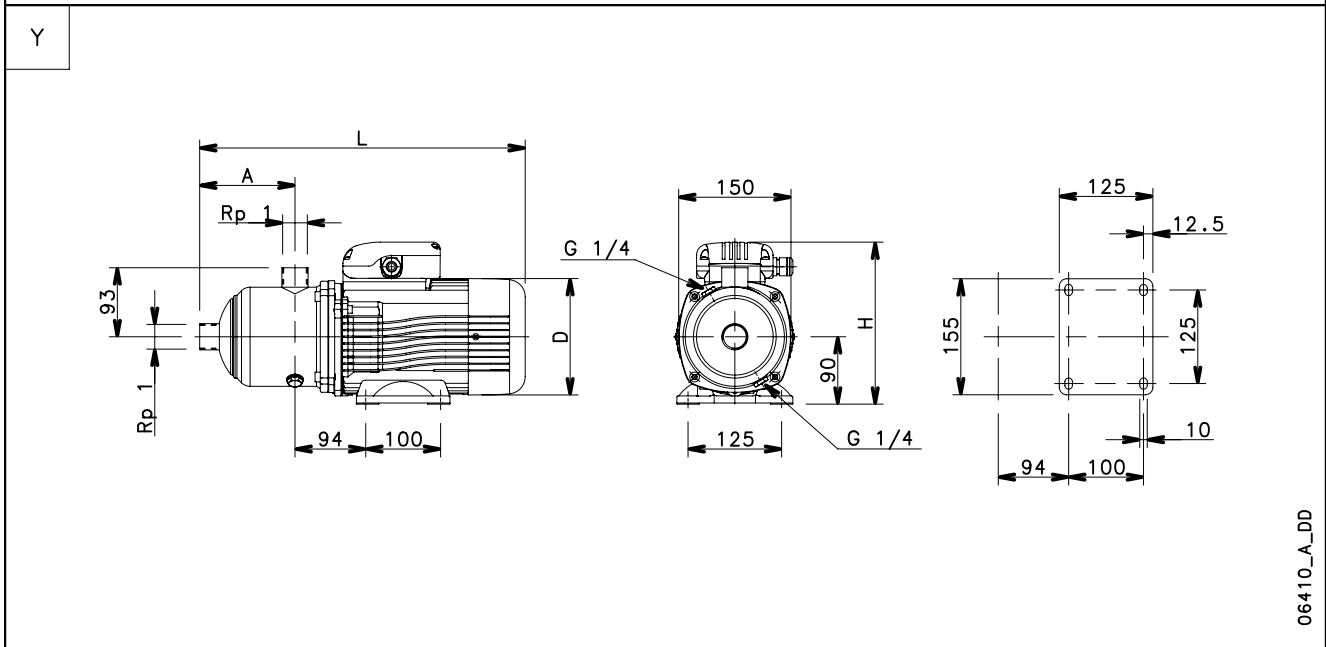
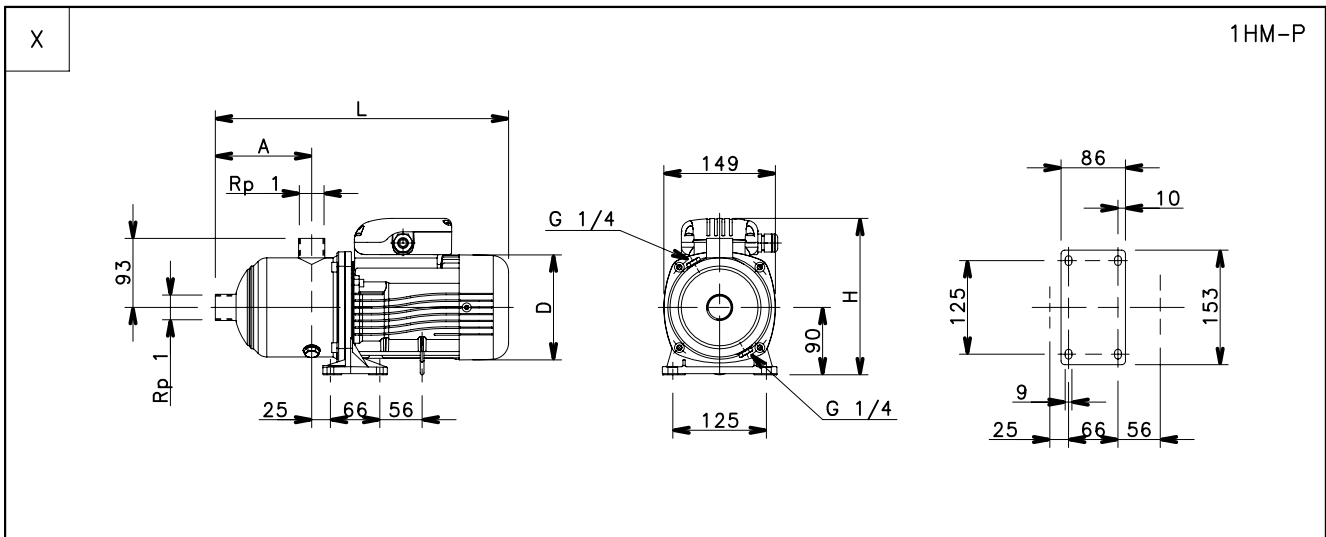


1HM..P SERIES

DIMENSIONS AND WEIGHTS AT 50 HZ, 2 POLES

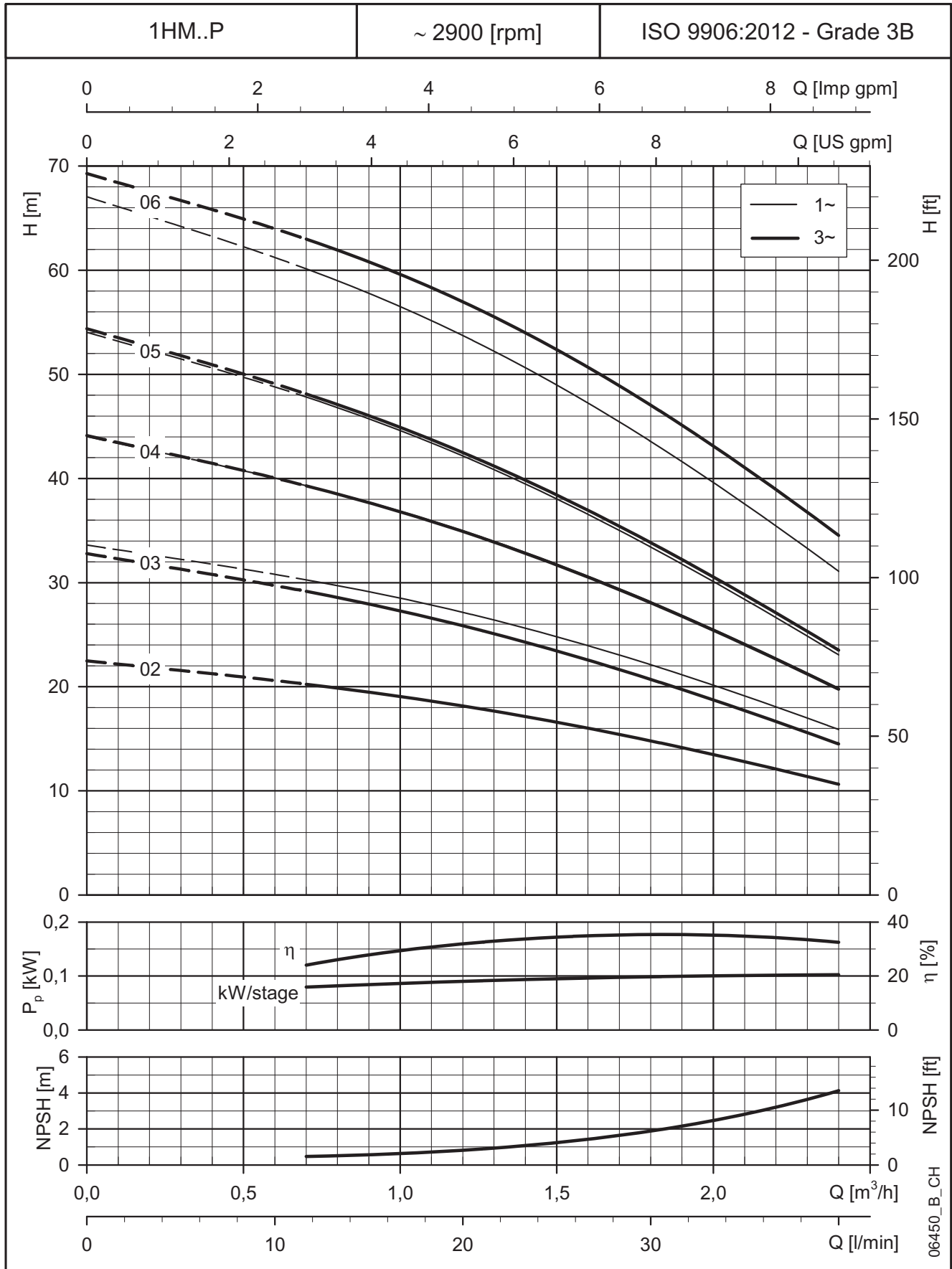


PUMP TYPE	VERSION	Ref.	MOTOR		DIMENSIONS (mm)				PN bar	WEIGHT kg
			kW	SIZE	A	D	H	L		
1HM03	SINGLE-PHASE	X	0,50	63	87	120	201	336	10	7
1HM04			0,50	63	107	120	201	356	10	7
1HM05			0,50	63	127	120	201	376	10	8
1HM06			0,75	71	147	140	211	410	10	9

1HM02	THREE-PHASE	X	0,30	63	87	120	201	336	10	6
1HM03			0,30	63	87	120	201	336	10	6
1HM04			0,40	63	107	120	201	356	10	7
1HM05			0,50	63	127	120	201	376	10	8
1HM06		Y	0,75	80	147	155	219	455	10	13

1hm-p-2p50-en_b_dd

1HM..P SERIES
OPERATING CHARACTERISTICS AT 50 Hz, 2 POLES



These performances are valid for liquids with density $\rho = 1.0 \text{ Kg/dm}^3$ and kinematic viscosity $\nu = 1 \text{ mm}^2/\text{sec}$.